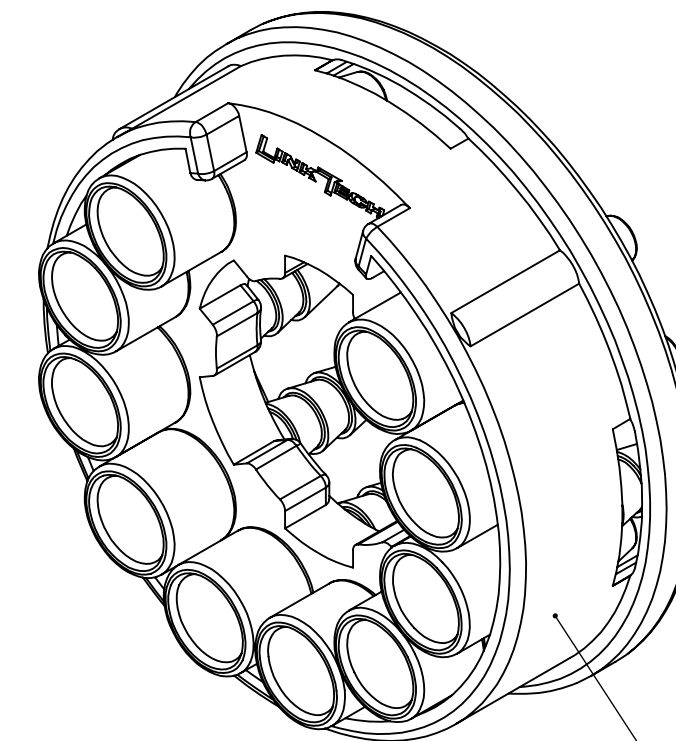
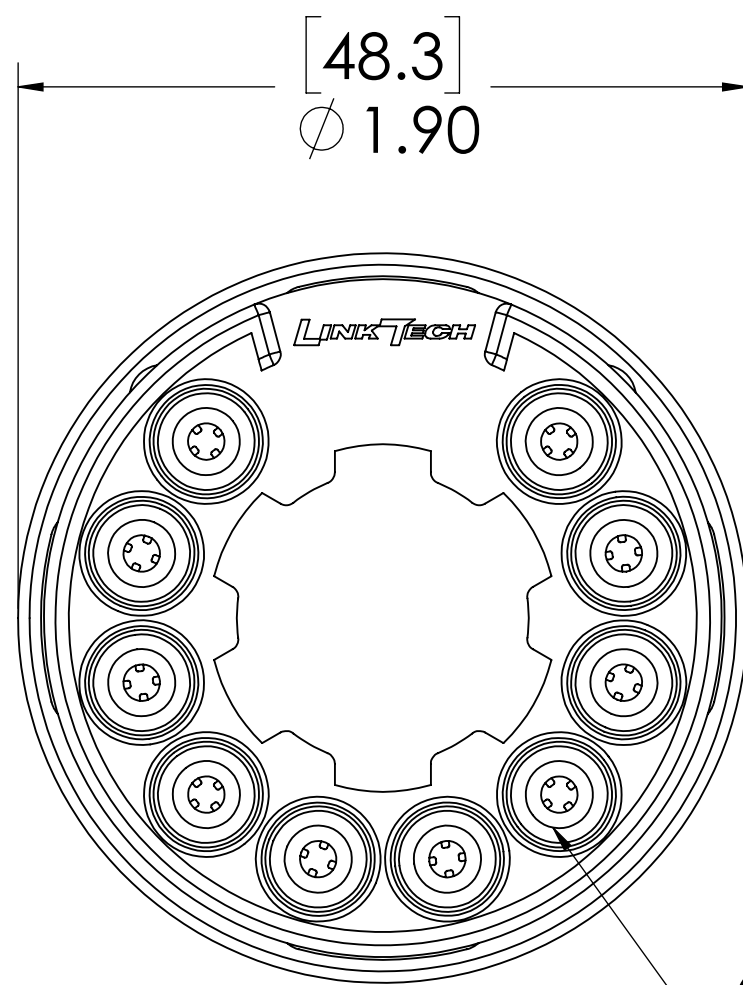


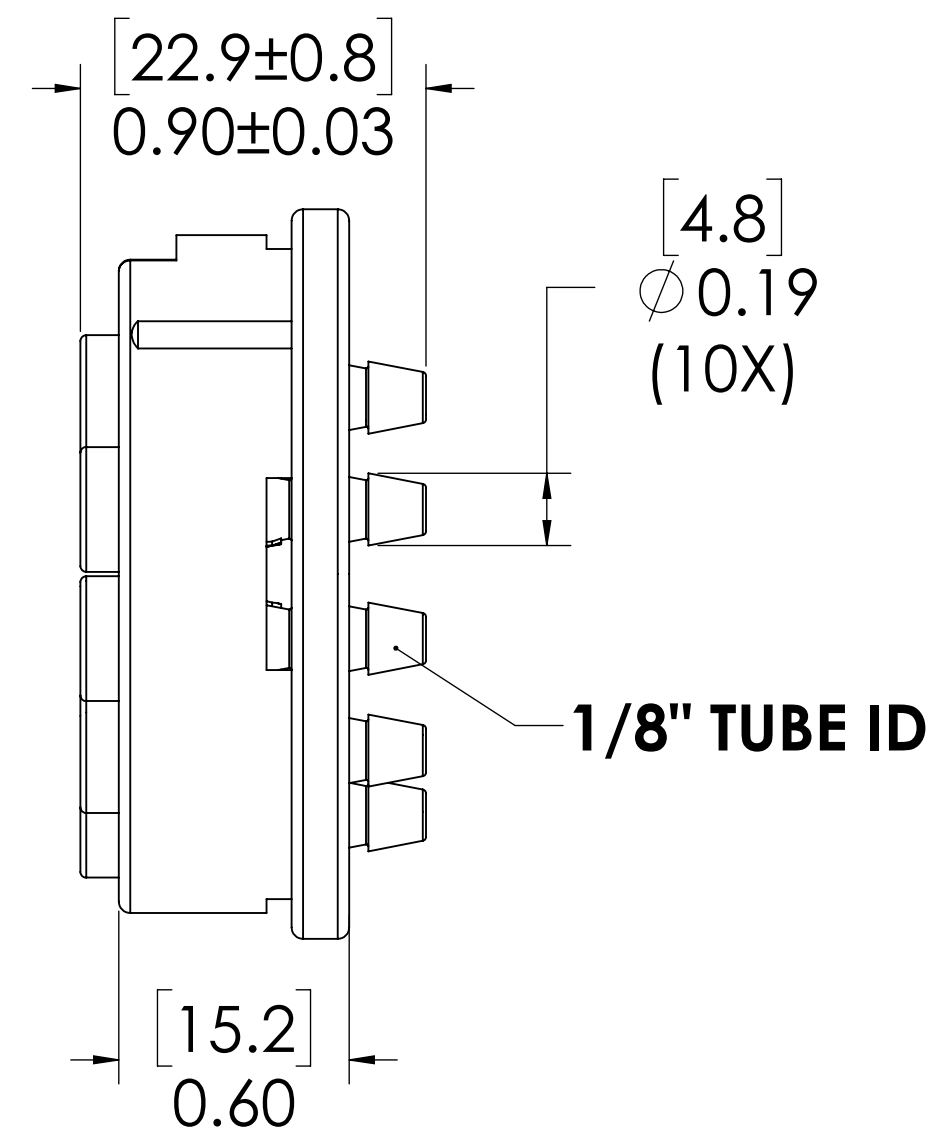
REVISIONS						
SHEET	ZONE	REV.	ECO	DESCRIPTION	DATE	APPROVED
1	ALL	A	50253	UPDATE DWG TO CURRENT FORMAT & STANDARDS	10/30/2018	HRC



**HOUSING  
(ACETAL)**



**(10X) SOCKET  
(POLYPROPYLENE)**



**FOR REFERENCE ONLY**

- NOTES:**
- MATERIAL: POLYPROPYLENE
  - COLOR: BLACK

UNLESS OTHERWISE SPECIFIED:				LINKTECH	
DIMENSIONS ARE IN INCHES	DRAWN	ER	11/07/17	PART NO: <b>100PP-S2-02</b>	
TOLERANCES:	CHECKED	HRC	11/07/17		
FRACTIONAL ±1/32	ENG APPR.	HRC	10/30/18		
ANGULAR: MACH ±0.5 BEND ±2	MFG APPR.	BDB	10/30/18		
ONE PLACE DECIMAL ±0.1	PRODUCTION	LS	10/30/18	DESCRIPTION: <b>LinkTech 100PP Series Straight Female, Non-Valved, 1/8" HB, Polypropylene</b>	
TWO PLACE DECIMAL ±0.01	COMMENTS:				
THREE PLACE DECIMAL ±0.005				SIZE DWG. NO.	REV
TWO PLACE DUAL (mm) [±0.12]				<b>C</b> 100PP100022	<b>A</b>
PROPRIETARY AND CONFIDENTIAL				SCALE: NTS	WEIGHT:
THE INFORMATION CONTAINED IN THIS DRAWING IS THE SOLE PROPERTY OF LINKTECH LLC. ANY REPRODUCTION OR DISCLOSURE IN PART OR AS A WHOLE WITHOUT THE WRITTEN PERMISSION OF LINKTECH LLC IS STRICTLY PROHIBITED.				SHEET 1 OF 1	